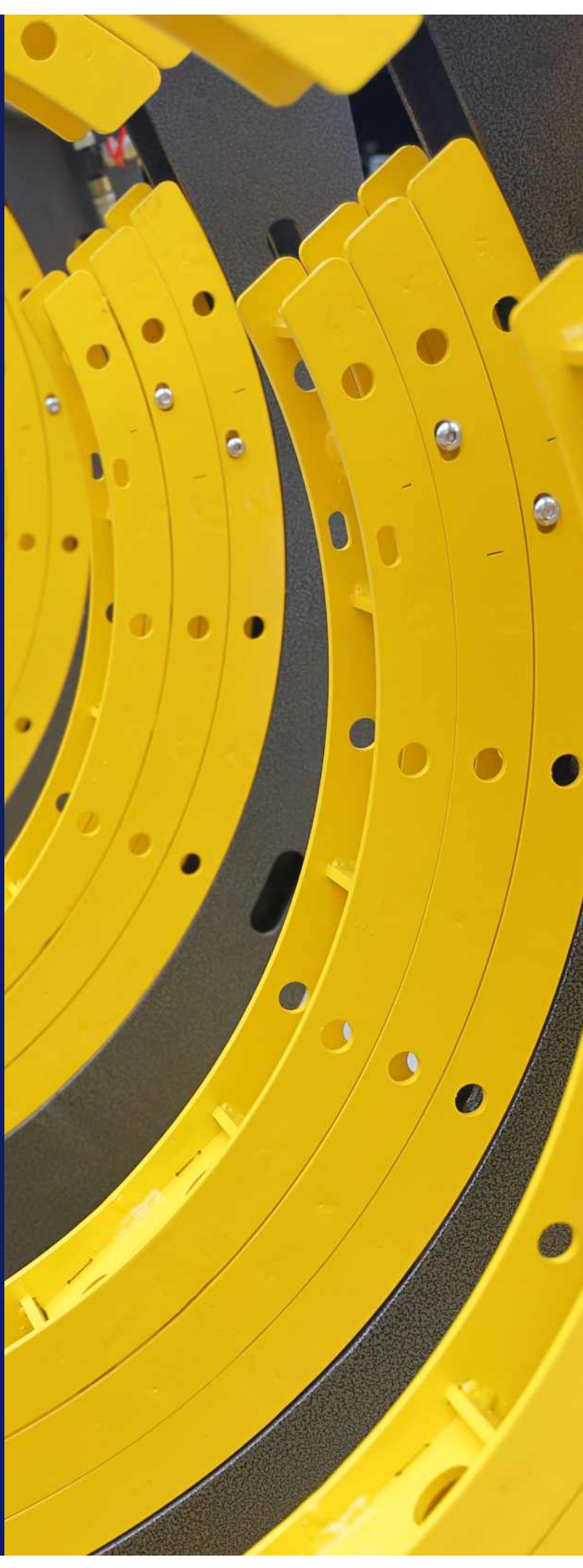




General Catalog Pipe Tools

2022

Dedicated to pipe tools



Hydraulic Torque Wrench

IBT square drive

IBT series is the professional hydraulic torque wrench which vigorously extends in international market. It's raw material is Aluminum-Titanium Alloy which makes the wrench light and high intense. IBT series has 10 models with the range from 112N. m to 72000N. m, covers the most of bolts size, and be the most comprehensive available in the market.

- 700bar Max working pressure and the accuracy keep within $\pm 3\%$.
- All together 10 models with the range from 112N.m to 72000N.m, which covers the most bolts size, and be the most comprehensive available in the market.
- The 360*185 degree swivel is free to operation with no space limitation.
- The square drive operate with the high intense socket and suitable with large range of bolts.
- 360 degree adjustable reaction arm allows placing in any support point.
- Compact design with the raw material of advanced aluminum-titanium alloy, high intense.
- The new locking coupler ensures the oil keep free access.

The 360*185 degree swivel is free to operation with no space limitation.

The new locking coupler ensures the oil keep free access

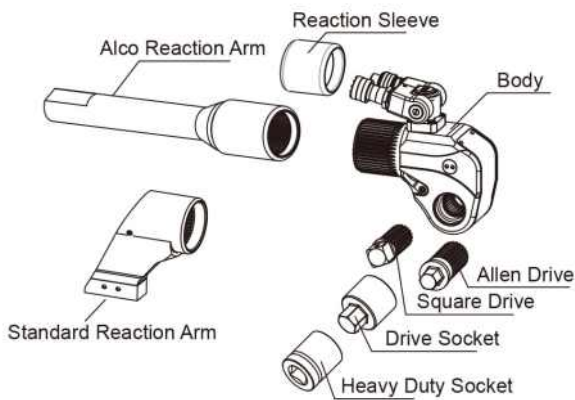
Laser with the pressure-torque table enables convenient operation

The reaction arm with 360 degree trimming style allows placing in any support point.

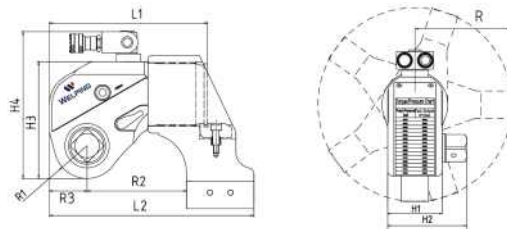
Compact design with the raw material of advanced aluminum-titanium alloy, which intensifies the strength and toughness of the fuselage comprehensively



IBT



Special reaction for optional



Catalog No.	672010	672011	672012	672013	672014	672015	672016	672017	672018	672019
Model No.	07 IBT	1 IBT	3 IBT	5 IBT	8 IBT	10 IBT	20 IBT	25 IBT	35 IBT	50 IBT
Torque (N.m)	112~1120	183~1837	451~4512	752~7528	1078~10780	1551~15516	2666~26664	3472~34725	4866~48666	7200~72000
Bolt size(mm)	14~30	16~36	22~48	27~56	30~64	36~72	42~90	48~100	64~120	72~125
N.W(KG)	1.8	2.5	5	8	11	15	26.5	35	50	87
L1(mm)	110.8	144.5	178	210.5	222	245.5	307.5	323	372.5	400
L2(mm)	139.3	173.5	229	270.5	293	317.5	383.5	401	496.5	516
H1(mm)	42	50	68	80	90	100	120	137	153	160
H2(mm)	65.8	72	95	123	134	142	183	200	216	223
H3(mm)	76.2	96	127	149	167	182	220	247	282	291
H4(mm)	108.1	131	176.5	199	217	232	270	297	332	341
R(mm)	75	91.5	123.5	140	165	178	213	228	243.5	258
R1(mm)	20.5	26	34	39	47	51	59	66	77	81
R2(mm)	68.3	85	114	137	153	154	186	199	241	259
R3(mm)	25	29	40	46.5	47	58.5	71	66	79	97.5
Square drive	3/4"	3/4"	1"	1-1/2"	1-1/2"	1-1/2"	2-1/2"	2-1/2"	2-1/2"	2-1/2"

Hydraulic Torque Wrench

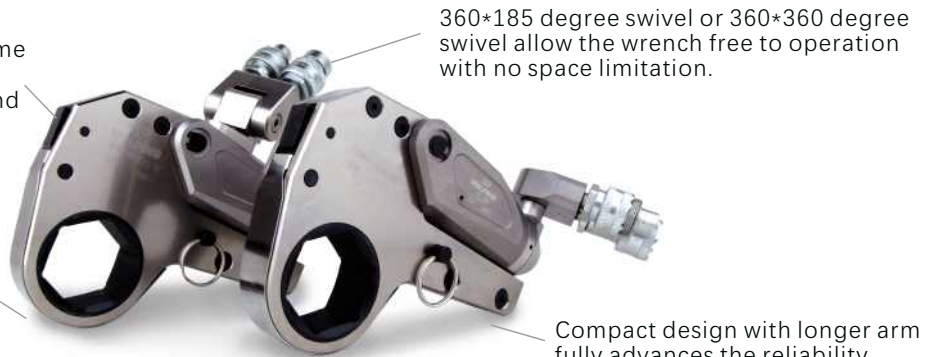
Low profile

Low series is the professional hydraulic torque wrench which vigorously extends in international market. Compare with the square drive hydraulic torque wrench, this series work directly on the nuts and its bod suits well in the narrow space. Low series covers the nuts from M19-M175to fulfill all different working situations. The user can just replace the hexagon cassette or add the reducer.

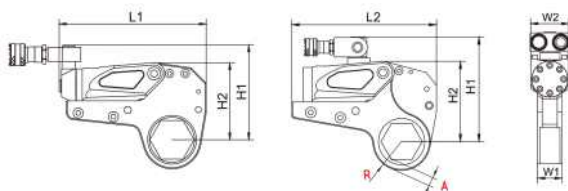
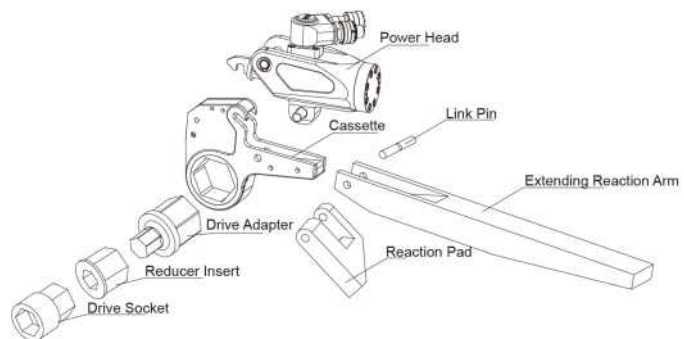
- 700bar max working pressure; keep the accuracy $\pm 3\%$.
- 5 models with the range from 232-44593N.m.
- 360*185 degree swivel & 360*360 degree swivel allow the wrench free to operation with no space limitation.
- More accuracy and easier when the wrench direct operate on the nuts.
- Compact design with longer arm fully advances the reliability.
- Compact design with the raw material of advanced aluminum-titanium alloy, high intense.
- The new locking coupler ensures the oil keep free access.

The reaction pawl officially overcome the possibility of ratchet reversing opposite; enhance the efficiency and precision of torque.

More accuracy and easier when the wrench direct operate on the nuts.



Optional:



Model No.	Torque (N.m)	Nut size (mm)	Power head weight(kg)	Work head weight (kg)	L1(mm)	L2(mm)	H1(mm)	H2(mm)	W1(mm)	W2(mm)
2LOW	232~2328	19~55	1	1.6	195.4	186	125.9	102.3	32	51
	241~2414	60	1	1.7	195.4	186	128.5	105	32	51
4LOW	585~2510	34~36	2	4.4	261.6	245	177	135.7	42	66
	585~5021	41	2	4.4	261.6	245	177	135.7	42	66
	585~5858	46~65	2	4.6	261.6	245	187	145.7	42	66
	647~6474	70~80	2	4.6	261.6	245	187	145.7	42	66
8LOW	1049~10491	41~95	3.3	8	304	300	207	169	53	83
	1177~11774	100105	3.3	8.4	304	300	216	178	53	83
14LOW	1852~18521	50~117	5.5	11.6	361	361	239	204	64	99
30LOW	4188~41882	110~155	11.4	29	441	441	303	272	85	131
	4459~44593	160~175	11.4	30	441	441	315	285	85	131

Hydraulic Torque Wrench

Series hexagon cassette selection chart

2LOW					4LOW					8LOW				
Catalog No.	Mode No.	R (mm)	A (mm)	Max Torque (N.m)	Catalog No.	Model No.	R (mm)	A (mm)	Max Torque (N.m)	Catalog No.	Model No.	R (mm)	A (mm)	Max Torque (N.m)
671110	2LOW-19	27	16	2328	671210	4LOW-34	36	16	2510	671310	8LOW-41	46	22	10941
671111	2LOW-22	27	14	2328	671211	4LOW-36	36	15	2510	671311	8LOW-46	46	19	10941
671112	2LOW-27	27	11	2328	671212	4LOW-41	39	15	5021	671312	8LOW-50	46	17	10941
671113	2LOW-30	29	12	2328	671213	4LOW-46	42	15	5858	671313	8LOW-55	50	18	10941
671114	2LOW-32	29	11	2328	671214	4LOW-50	44	15	5858	671314	8LOW-60	52	17	10941
671115	2LOW-34	31	11	2328	671215	4LOW-55	46	14	5858	671315	8LOW-65	55	17	10941
671116	2LOW-36	31	10	2328	671216	4LOW-60	50	15	5858	671316	8LOW-70	58	17	10941
671117	2LOW-41	34	10	2328	671217	4LOW-65	53	15	5858	671317	8LOW-75	60	17	10941
671118	2LOW-46	37	10	2328	671218	4LOW-70	56	15	6474	671318	8LOW-80	63	16	10941
671119	2LOW-50	40	11	2328	671219	4LOW-75	59	15	6474	671319	8LOW-85	66	17	10941
671120	2LOW-55	43	11	2328	671220	4LOW-80	61	15	6474	671320	8LOW-90	69	17	10941
671121	2LOW-60	46	11	2414							8LOW-95	71	16	10941
											8LOW-100	75	17	11774
											8LOW-105	78	17	11774

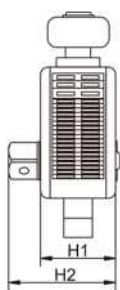
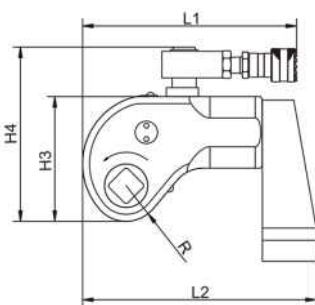
14LOW					30LOW				
Catalog No.	Type	R (mm)	A (mm)	MaxTorque (N.m)	Catalog No.	Type	R (mm)	A (mm)	MaxTorque (N.m)
671410	14LOW-50	60	31	18521	671510	30LOW-85	78	28	41882
671411	14LOW-55	60	28	18521	671511	30LOW-90	78	27	41882
671412	14LOW-60	60	25	18521	671512	30LOW-95	83	28	41882
671413	14LOW-65	60	22	18521	671513	30LOW-100	83	25	41882
671414	14LOW-70	60	19	18521	671514	30LOW-105	89	28	41882
671415	14LOW-75	63	19	18521	671515	30LOW-110	89	25	41882
671416	14LOW-80	66	19	18521	671516	30LOW-115	95	28	41882
671417	14LOW-85	69	19	18521	671517	30LOW-117	95	27	41882
671418	14LOW-90	72	20	18521	671518	30LOW-120	95	25	41882
671419	14LOW-95	74	19	18521	671519	30LOW-125	101	29	41882
671420	14LOW-100	77	19	18521	617520	30LOW-130	101	26	41882
671430	14LOW-105	80	19	18521	617521	30LOW-135	104	26	41882
671430	14LOW-110	83	19	18521	617522	30LOW-140	110	29	41882
671431	14LOW-115	87	20	18521	617523	30LOW-145	110	26	41882
671432	14LOW-117	87	19	18521	617524	30LOW-150	116	29	41882
					617525	30LOW-155	116	26	41882
					617526	30LOW-160	128	36	44593
					617527	30LOW-165	128	33	44593
					617528	30LOW-170	128	30	44593
					617529	30LOW-175	128	27	44593

Hydraulic Torque Wrench

S square drive

S configured with high technology, ideal for long-term usage by means of aluminum-titanium design. Besides having calibration service and support S is one of the important brands that can accomplish big missions even its small body. Almost every tightening & loosening problems can be accomplished with these series that have a torque capacity up to 3.6992 Nm. We serves a wide range accessory for S series. These products which are designed for serving true resolutions, entitled with CE seal result of an effort with appropriate directives

- 700bar maximum working pressure; Repeat accuracy $\pm 3\%$.
- 5 different models from 1727-36992N.m.
- 360° multi-positional swivel quick release couplings.
- Working with the high resistance sockets, above more size of screw.
- 360° Adjustable reaction arm with safely lock feature, can be used without reaction arm.
- High resistance with aluminum-titanium and light body.
- Replaceable square drive adapters.



Cataloge No.	Model No.	Torque (N.m)	Bolt size (mm)	Square Drive Inches	N.W (kg)	L1(mm)	L2(mm)	H1(mm)	H2(mm)	H3(mm)	H4(mm)	R(mm)
672020	S17	172~1727	16~36	3/4"	2	129	167	51	73	90	131	25
672021	S45	452~4529	22~48	1"	4.6	167	218	68	98	121	170	34
672022	S100	1006~10064	30~64	1-1/2"	10	223	293	92	135	163	211	46
672023	S150	1497~14974	36~72	1-1/2"	14.8	264	323	100	141	177	225	50
672024	S370	3699~36992	48~100	2-1/2"	32.5	329	432	137	104	240	288	66

Hydraulic Torque Wrench

H low profile

H series is the professional hydraulic torque wrench which vigorously extends in international market. H low profile torque wrenches designed for accessing limited areas and serves good solutions with numbers of replaceable cassettes and adaptors.

Drivers can be replaced easily and fast without using any tools.

Saves time by means of easy replacement of attachments.

Light weight aluminum design allows easy operations even in robust conditions.

- 700bar maximum working pressure; Repeat accuracy $\pm 3\%$.
- 5 different models from 2625-48481N.m.
- Fitted with 360°x360° uni-swivel quick release couplings.
- Low profile design to accessing limited areas.
- Drivers and adaptors can be replaced easily.

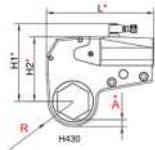
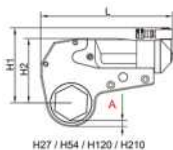
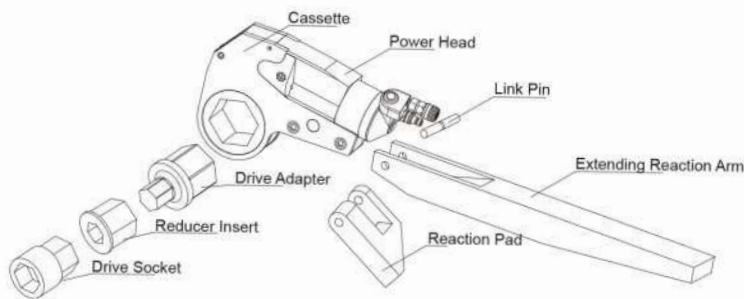
The reaction pawl officially overcome the possibility of ratchet reversing opposite; enhance the efficiency and precision of torque.

More accuracy and easier when the wrench direct operate on the nuts.



Optional:

Reaction Pad	
Extending Reaction Arm	



Model No.	Torque (N.m)	Nut size (mm)	Work head weight (kg)	L(mm)	H1(mm)	H2(mm)	W1(mm)	W2(mm)	A(mm)
H27	262~2625	19~45	0.9	193	125	97	32	51	10~15
	306~3068	50~60	0.9	193	136	108	32	51	10~11
H54	537~5372	27~65	1.9	250	158	125	41	64	11~19
	603~6037	70~80	1.9	250	168	136	41	64	11.7~12
H120	1173~11737	50~80	3.4	310	189	157	52	78	15~15.2
	1434~14349	85~105	3.4	310	214	182	52	78	16~22
H210	2121~21216	70~100	5.9	378	223	191	64	97	8~21
	2312~23124	105~115	5.9	378	236	204	64	97	18~24
H430	4379~43792	80~117	16.1	405	291	242	83	93	25~31
	4848~48481	120~175	16.1	405	309	260	83	93	25~34

Hydraulic Torque Wrench

Series hexagon cassette selection chart

H27					H54					H120				
Catalog No.	Model No.	R (mm)	A (mm)	MaxTorque (N.m)	Catalog No.	Model No.	R (mm)	A (mm)	MaxTorque (N.m)	Catalog No.	Model No.	R (mm)	A (mm)	MaxTorque (N.m)
673010	H27-19	26	15	2625	673210	H54-27	35	19	5372	673310	H120-50	44	15	11737
673011	H27-22	26	14	2625	673211	H54-30	35	17	5372	673311	H120-55	47	15	11737
673012	H27-27	26	11	2625	673212	H54-32	35	16	5372	673312	H120-60	50	15	11737
673013	H27-30	28	11	2625	673213	H54-34	35	16	5372	673313	H120-65	53	15	11737
673014	H27-32	28	10	2625	673214	H54-36	35	14	5372	673314	H120-70	56	15	11737
673015	H27-34	31	11	2625	673215	H54-41	35	11	5372	673315	H120-75	58	15	11737
673016	H27-36	31	10	2625	673216	H54-46	37	11	5372	673316	H120-80	61	15	11737
673017	H27-41	34	10	2625	673217	H54-50	41	12	5372	673317	H120-85	66	16	14349
673018	H27-46	37	10	2625	673218	H54-55	44	3	5372	673318	H120-90	69	16	14349
673019	H27-50	40	11	3068	673219	H54-60	47	12	5372	673319	H120-95	71	16	14349
673020	H27-55	42	11	3068	673220	H54-65	50	12	5372	673320	H120-100	77	22	14349
673021	H27-60	50	10	3068	673221	H54-70	52	12	6037	673321	H120-105	77	19	14349
					673222	H54-75	56	12	6037					
					673223	H54-80	58	12	6037					

H210					H430				
Catalog No.	Model No.	R mm	A mm	MaxTorque (N.m)	Catalog No.	Model No.	R mm	A mm	MaxTorque (N.m)
673310	H210-70	59	18	21216	673410	H430-80	72	25	43792
673311	H210-75	62	18	21216	673411	H430-85	78	28	43792
673312	H210-80	65	18	21216	673412	H430-90	78	25	43792
673313	H210-85	68	21	21216	673413	H430-95	84	28	43792
673314	H210-90	71	18	21216	673414	H430-100	84	26	43792
673315	H210-95	77	21	21216	673415	H430-105	90	28	43792
673316	H210-100	77	18	21216	673416	H430-110	94	31	43792
673317	H210-105	79	18	23214	673417	H430-115	94	28	43792
673318	H210-110	87	24	23124	673418	H430-117	94	28	43792
673319	H210-115	87	21	23124	673419	H430-120	101	31	48481
					673420	H430-125	101	28	48481
					673421	H430-130	101	25	48481
					673422	H430-135	105	26	48481
					673423	H430-140	110	29	48481
					673424	H430-145	110	26	48481
					673425	H430-150	115	29	48481
					673426	H430-155	115	26	48481
					673427	H430-160	121	29	48481
					673428	H430-165	121	26	48481
					673429	H430-170	128	30	48481
					673430	H430-175	128	27	48481

Hydraulic Torque Wrench

WPS square drive

WPS torque wrench is compact, optimized design to have maximum strength-to-weight ratio. Consistent torque value output with accuracy up-to $\pm 3\%$. Oxidation treatment provide excellent corrosion protection and durability in harsh environment. Accurate anti-reverse pawl improves the preload accuracy, and easy to be released.

- Working pressure 10000 psi max. repeatability $\pm 3\%$
- Designed to tighten and loosen nuts requiring high torque
- Sort of models from 81 ft-lbs up to 52,300 ft-lbs torque power
- Constantly repeated accuracy $\pm 3\%$ across the full stroke
- 360° multi-positional swivel quick release couplings
- Easy replaceable square and hexagon drive adapters
- Body shroud engraved with torque pressure chart
- Suitable for continuous operation at maximum pressure
- High resistance with aluminium-titanium and light body
- 360° adjustable reaction arm with safety lock feature

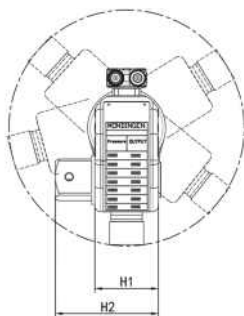
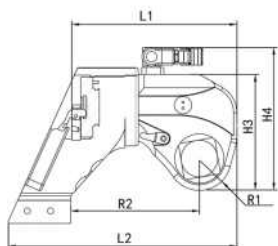
Laser with the pressure-torque table enables convenient operation

Compact design with the raw material of advanced aluminum-titanium alloy, which intensifies the strength and toughness of the fuselage comprehensively



The 360 degree swivel is free to operation with no space limitation.

The reaction arm with 360 degree trimming style allows placing in any support point.



Catalog No.	674010	674011	674012	674013	674014	674015	674016	674017	674018	674019
Model No.	WPS-07	WPS-1	WPS-3	WPS-5	WPS-8	WPS-10	WPS-20	WPS-25	WPS-35	WPS-50
Torque (ft-lbs)	81~814	134~1344	328~3278	547~5470	783~7831	1127~11272	2666~26664	1937~19370	2523~25236	5230~52300
Bolt size(mm)	14~30	16~36	22~48	27~56	30~64	36~72	42~90	48~100	64~120	72~125
N.W(lbs)	3.96	5.5	11	17.6	24.2	33	58.3	77	110	191.4
L1(mm)	110.8	144.5	178	210.5	222	245.5	307.5	323	372.5	400
L2(mm)	139.3	173.5	229	270.5	293	317.5	383.5	401	496.5	516
H1(mm)	42	50	68	80	90	100	120	137	153	160
H2(mm)	65.8	72	95	123	134	142	183	200	216	223
H3(mm)	76.2	96	127	149	167	182	220	247	282	291
H4(mm)	108.1	131	176.5	199	217	232	270	297	332	341
R1(mm)	20.5	26	34	39	47	51	59	66	77	81
R2(mm)	68.3	85	114	137	153	154	186	199	241	259
Square drive	3/4"	3/4"	1"	1 1/2"	1 1/2"	1 1/2"	2 1/2"	2 1/2"	2 1/2"	2 1/2"

Hydraulic Torque Wrench

WPH low profile

WPH torque wrench low profile cassettes are made in compact and ultra slim structure to fit into tight spaces. Consistent torque value output with accuracy up to $\pm 3\%$. rigid steel design ensure the durability, reliability and safety of the tools. Fast operation cycle, fine tooth ratchet, corrosion resistance, low weight, high strength design.

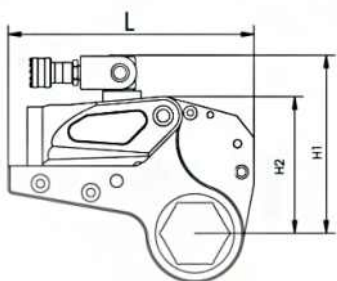
- Working pressure 10000 psi max. repeatability $\pm 3\%$
- 10000 psi maximum operation pressure
- 5 different models from 170 ft-lbs to 32,819 ft-lbs
- Designed for tighten and loosen high torque applications
- 360° uni swivel quick release couplings
- Maximum torque power with minimum wall thickness
- Various cassettes, adaptors and reducers are available
- Durable structure, aluminium-titanium alloy for drive cylinder
- Suitable for continuous operations at maximum pressure
- Pressure relief valve prevents over pressure

The reaction pawl officially overcome the possibility of ratchet reversing opposite; enhance the efficiency and precision of torque.

More accuracy and easier when the wrench direct operate on the nuts.

360*185 degree swivel or 360*360 degree swivel allow the wrench free to operation with no space limitation.

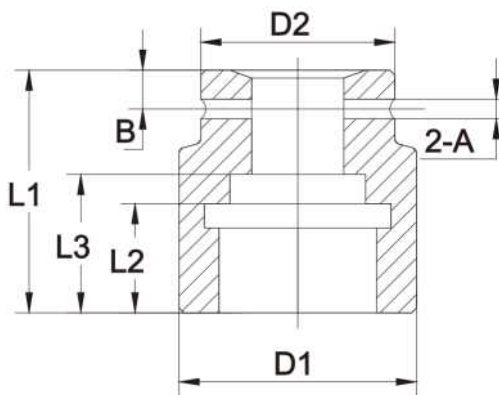
Compact design with longer arm fully advances the reliability.



Model No.	Torque (ft-lbs)	Hex. Size (Inch)	Drive Cylinder (lbs)	Cassettes (lbs)	L(mm)	H1(mm)	H2(mm)	W1(mm)	W2(mm)
WPH-2	170~1696	$\frac{3}{4} \sim 2\frac{3}{16}$	2.2	3.52	196.4	125.9	102.3	32	51
	177~1770	$2\frac{1}{4} \sim 2\frac{3}{8}$	2.2	3.52	196.4	128.5	105	32	51
WPH-4	431~4314	$2\frac{5}{16} \sim 2\frac{9}{16}$	4.4	9.68	245	177	135.7	42	66
	476~4775	$2\frac{5}{8} \sim 3\frac{1}{8}$	4.4	10.12	246	187	145.7	42	66
WPH-8	808~5858	$1\frac{1}{2} \sim 3\frac{3}{4}$	7.26	17.6	300	207	169	53	83
	867~8864	$3\frac{13}{16} \sim 4\frac{1}{8}$	7.26	18.48	301	216	178	53	83
WPH-14	1364~13644	$2 \sim 4\frac{5}{8}$	12.10	25.52	361	239	204	64	99
WPH-30	3083~30828	$3\frac{1}{8} \sim 6\frac{1}{8}$	25.05	63.8	430	303	272	85	131
	3282~32819	$6\frac{3}{16} \sim 6\frac{7}{8}$	25.08	63.8	441	315	285	85	131

Hydraulic Torque Wrench

Sockets



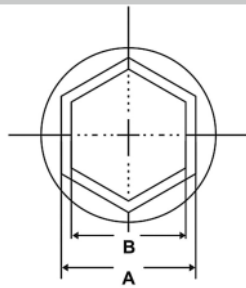
Can order imperial and non-standard socket

Standard sockets selection chart

Bolt Type	3/4" 07IBT/1IBT WPS-07								1" 1IBT/3IBT WPS-1/WPS-3								1-1/2" 5,8,10IBT WPS-5,8,10								2-1/2" 20,25,35,50 IBT/ WPS-20,25,35,50							
	D	N	A	B	L1	L2	L3	D1	D2	A	B	L1	L2	L3	D1	D2	A	B	L1	L2	L3	D1	D2	A	B	L1	L2	L3	D1	D2		
M16	24	6.3	10	54	32	32	40	40																								
M18	27	6.3	10	54	32	32	42	42																								
M20	30	6.3	10	54	33	33	46	44	8	14	59	32	32	54	54																	
M22	34	6.3	10	54	33	33	52	44	8	14	59	32	32	58	58																	
M24	36	6.3	10	57	33	33	54	44	8	14	62	32	32	59	59	8	16	85	44	44	74	74										
M27	41	6.3	10	58	33	33	60	44	8	14	65	38	38	67	54	8	16	85	44	44	74	74										
M30	46	6.3	10	63	38	38	66	44	8	14	65	38	38	74	54	8	16	85	44	44	74	74										
M33	50	6.3	10	65	40	40	71	44	8	14	70	43	43	79	60	8	16	90	45	45	79	79										
M36	55	6.3	10	70	45	45	77	54	8	14	80	42	52	84	60	8	16	90	45	45	84	84	8	18	100	57	57	86	114			
M39	60								8	14	85	45	57	89	60	8	16	100	45	57	94	94	8	18	100	52	52	119	119			
M42	65								8	14	85	45	57	98	70	8	16	100	45	57	98	80	8	18	100	52	52	119	119			
M45	70								8	14	90	50	62	104	70	8	16	105	50	62	104	80	8	18	120	67	67	128	128			
M48	75								8	14	95	50	65	108	70	8	16	110	50	65	118	90	8	18	120	67	67	128	128			
M52	80															8	16	115	55	72	118	90	8	18	130	71	71	128	128			
M56	85															8	16	125	60	77	128	90	8	18	130	71	71	129	129			
M60	90															8	16	125	60	77	139	90	8	18	140	61	73	139	139			
M64	95															8	16	130	65	82	139	90	8	18	140	66	73	139	139			
M68	100															8	16	135	70	87	144	90	8	18	140	71	81	148	130			
M72	105															8	16	135	70	87	149	90	8	18	150	77	89	156	130			
M76	110															8	16	135	70	87	158	95	8	18	150	72	90	158	130			
M80	115															8	16	135	70	87	159	90	8	18	150	82	98	168	130			
M85	120															8	16	135	70	87	168	95	8	18	150	82	98	178	130			
M90	130															8	16	155	93	105	189	95	8	18	170	93	114	189	130			
M95	135																							8	18	170	93	114	198	130		
M100	145																							8	18	170	98	122	210	152		
M105	150																							8	18	190	100	140	216	152		
M110	155																							8	18	190	100	140	229	152		
M115	165																							8	18	190	100	140	241	152		

Hydraulic Torque Wrench

Reducer



Standard reducer inserts selection chart

Can order imperial and non-standard Reducer Inserts

Wrench Model No.	Cassatte	Net size (S)	Reducer Insert						The locking ring type
			Type	A/B(mm)	Type	A/B(mm)	Type	A/B(mm)	
2LOW WPH-2	2LOW-50	50	2G5041	50/41	2G5036	50/36	2G5032	50/32	H-50
	2LOW-46	46	2G4636	43/36	2G4632	46/32	2G5033	46/30	H-46
	2LOW-41	41	2G4132	41/32	2G4130	41/30	2G5034	41/27	H-41
	2LOW-36	36	2G3630	36/30	2G3627	36/27			H-36
	2LOW-32	32	2G3227	32/27					H-32
	2LOW-30	30							
4LOW WPH-4	4LOW-65	65	4G6555	65/55	4G6550	65/50	4G6546	65/46	H-56
	4LOW-60	60	4G6050	60/50	4G6046	60/46	4G6041	60/41	H-60
	4LOW-55	55	4G5546	55/46	4G5541	55/41	4G5536	55/36	H-55
	4LOW-50	50	4G5041	50/41	4G5036	50/36	4G5032	50/32	H-50
	4LOW-46	46	4G4636	46/36	4G4632	46/32	4G4630	46/30	H-46
	4LOW-41	41	4G4132	41/32	4G4130	41/30	4G4127	41/27	H-41
	4LOW-36	36	4G3630	36/30	4G3627	36/27			H-36
	4LOW-32	32	4G3227	32/27					H-32
8LOW WPH-8	8LOW-90	90	8G9080	90/80	8G9075	90/75	8G9070	90/70	H-90
	8LOW-85	85	8G8575	85/75	8G8570	85/70	8G8565	85/65	H-85
	8LOW-80	80	8G8070	80/70	8G8065	60/65	8G8060	80/60	H-80
	8LOW-75	75	8G7565	75/65	8G7560	75/60	8G7555	75/55	H-75
	8LOW-70	70	8G7060	70/60	8G7055	70/55	8G7050	70/50	H-70
	8LOW-65	65	8G6555	65/55	8G6550	65/50	8G6545	65/45	H-65
	8LOW-60	60	8G6050	60/50	8G6046	60/46			H-60
	8LOW-55	55	8G5546	55/46	8G5541	55/41			H-55
14LOW WPH-14	14LOW-115	115	14G115105	115/105	14G115100	115/100	14G11595	115/95	H-115
	14LOW-110	110	14G110100	110/100	14G11095	100/95	14G11090	110/90	H-110
	14LOW-105	105	14G105095	105/95	14G10590	105/90	14G10585	105/85	H-105
	14LOW-100	100	14G100090	100/90	14G10085	100/85	14G10080	100/80	H-100
	14LOW-95	95	14G95085	95/85	14G9580	95/80	14G9575	95/75	H-95
	14LOW-90	90	14G90080	90/80	14G9075	90/75	14G9070	90/70	H-90
	14LOW-85	85	14G85075	85/75	14G8570	85/70	14G8565	85/65	H-85
	14LOW-80	80	14G80070	80/70	14G8065	80/65			H-80
	14LOW-75	75	14G75065	75/65					H-75
	14LOW-70	70							
30LOW WPH-30	30LOW-155	155	30G155145	155/145	30G155130	155/130	30G155120	155/120	H-155
	30LOW-145	145	30G145130	145/130	30G145120	145/120	30G145115	145/115	H-145
	30LOW-130	130	30G130120	130/120	30G130115	130/115	30G130110	130/110	H-130
	30LOW-120	120	30G120110	115/105	30G120105	120/105	30G120100	120/100	H-120
	30LOW-115	115	30G115105	110/100	30G115100	115/100	30G11595	115/95	H-115
	30LOW-110	110	30G110100	105/95	30G10590	110/95	30G11090	110/90	H-110
	30LOW-105	105	30G10595	100/90	30G10085	105/90	30G10590	105/90	H-105
	30LOW-100	100	30G10090	95/85	30G95080	100/85	30G10080	100/80	H-100
	30LOW-95	95	30G9585	90/80		95/80			H-95
	30LOW-90	90	30G9080						H-90
	30LOW-85	85							
	30LOW-80	80							

Hydraulic Torque Wrench

The Choosing Of Hydraulic Torque Wrench

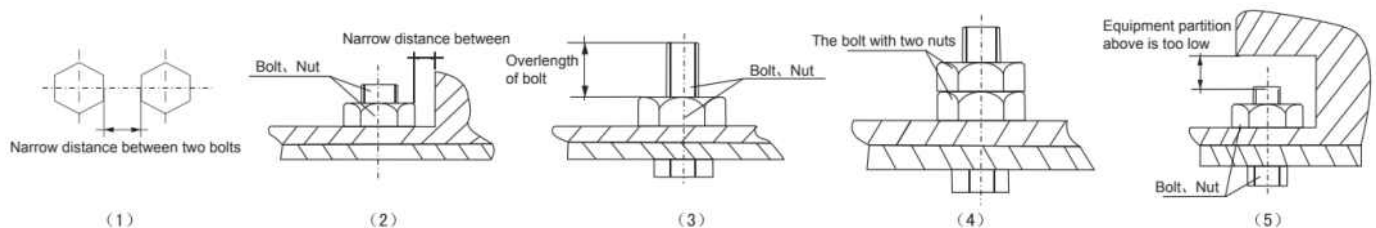
The bolt and nut pretightening force recommended chart.

Strengt Grade		4.8		6.8		8.8		10.9		10.9	
Min Breaking Strength		392Mpa		588Mpa		784Mpa		941Mpa		1176Mpa	
Material		Q325(SS41)		35(S35C)		35CrMo(SCM3)		42CrMo(SCM4)		40GrNiMoA(SNCM)	
Bolt	Diameter	Torque		Torque		Torque		Torque		Torque	
M (mm)	S(mm)	KGM	N.m	KGM	N.m	KGM	N.m	KGM	N.m	KGM	N.m
14	22	7	69	10	98	14	137	17	165	23	225
16	24	10	98	14	137	21	206	25	247	36	363
18	27	14	137	21	206	39	284	35	341	49	480
20	30	18	176	28	296	41	402	58	569	69	680
22	32	23	225	34	333	55	539	78	765	93	911
24	36	32	314	48	470	70	686	100	981	120	1176
27	41	45	441	65	637	105	1029	150	1472	180	1764
30	46	60	588	90	882	125	1225	200	1962	240	2352
33	50	75	735	115	1127	150	1470	210	2060	250	2450
36	55	100	980	150	1470	180	1764	250	2453	300	2940
39	60	120	1176	180	1764	220	2156	300	2943	370	3626
42	65	155	1519	240	2352	280	2744	390	3826	470	4606
45	70	180	1764	280	2744	320	3136	450	4415	550	5390
48	75	230	2254	350	3430	400	3920	570	5592	680	6664
52	80	280	2744	420	4116	480	4740	670	6573	850	8330
56	85	360	3528	530	5149	610	5978	860	8437	1050	10290
60	90	410	4018	610	5978	790	7742	1100	10791	1350	13230
64	95	510	4998	760	7448	900	8820				
68	100	580	5684	870	8526	1000	10780				
72	105	660	6468	1000	9800	1290	12642				
76	110	750	7350	1100	10780	1500	14701				
80	115	830	8143	1250	12250	18580	18130				
85	120	900	8820	1400	13720	2250	22050				
90	130	1080	10584	1650	16170	2500	24500				
100	145	1400	13720	2050	20090						
110	155	1670	16366	2550	24990						
120	175	2030	19894	3050	29890						

- This is Germany standard (DIN) above, the figure in the form is the max torque of the bolt, and the recommended torque is 80% of chart figure
- The recommended tightening torque equals the figure in the form*(80~90%). For instance: M52, strength grade is 8.8, the torque is 4704*90%=4233.6N.m
- It is recommended that loosening torque equals about 150% of tightening torque. For instance, the tightening torque is 4233.6*(1.5~2)=6350.4~8467.2N.m

The Space

Because of the space restriction, please notice the location. For example:



If you meet the above conditions, the square driven Torque Wrench cannot be used, you may use the Low Profile Wrench.

Hydraulic Torque Wrench Pump

LP3 series

LP3 series is a special pump for hydraulic wrench. It is assembled in an integrated manner. It combine independent and complete hydraulic device composed of a power unit, an electrical unit, a control device, etc. The working pressure is high, and the oil pressure of the high-pressure outlet can be adjusted arbitrarily between 70 and 700 bar.

- Compact automatic three stage design.
- Applicable on one or two wrenches simultaneously.
- Aluminum oil tank with gauge.
- Have Φ100 high pressure gauge.
- Infinitely variable pressure adjustment between 70 ~ 700 bar.
- With the high efficiency radiator the pump can work 24 hours continuously..
- Can change the motor to fit the different voltage.
- Optional components(FP4), can operate four wrenches at the same time.



LP3
Electric type

Catalog No.	675010	675012
Model No.	LP3-2	LP3-4
Operating Wrench	2	4
Tank Capacity	5.5L	5.5L
Flow(Low-Mid-High)	7-1.6-0.8L/min	7-1.6-0.8L/min
Output Pressure	70~700bar	70~700bar
Voltage	220V/50HZ	220V/50HZ
Power	1.1KW	1.1KW
Weight	25kg	27kg
Volume	30.5*44.5*42.6cm	30.5*44.5*42.6cm

- Compact three-stage pump.
- The Single valve block can be replace by component. FP4,there by allowing 2or 4 Tools to be driven simultaneously.
- Three stage with air drive.
- Supporting continuous operation with steel frame.
- 4" diameter gauge,aluminum oil tank with oil level indicator.
- Variable pressure adjustment between 70~700 bar.
- Designed for continuous operation.



LP3-N
Pneumatic type

Catalog No.	675050	675052
Model No.	LP3-N2	LP3-N4
Operating Wrench	2	4
Air Pressure(Input)	4~8 bar	4~8 bar
Tank Capacity	5.5L	5.5L
Flow(Low-Mid-High)	8.6-2.2-1.1L/min	8.6.-2.2-1.1L/min
Output Pressure	70~700bar	70~700bar
Voltage	220V/50HZ	220V/50HZ
Power	3KW	3KW
Oil outputs	4×1/4"NPT	8×1/4"NPT
Weight	22kg	24kg
Volume	44.2*28.2*37.7cm	46*28.2*37.7cm

Hydraulic Torque Wrench Pump

WPR series

WPR series is a special pump for hydraulic wrench. It is assembled in an integrated manner. It combine independent and complete hydraulic device composed of a power unit, an electrical unit, a control device, etc. The working pressure is high, and the oil pressure of the high-pressure outlet can be adjusted arbitrarily between 70 and 700 bar.



WPR
Electric type

- Compact three-stage pump for operation with hydraulic wrenches.
- Remote controls.
- Multipoint connection for more torque wrenches available on option.
- Three stage pump unit driven electric engine or air hydraulic.
- Oil cooler for continuous operation - supporting and protecting steel bracket.
- Ø 100 diameter pressure gauge, aluminum oil tank with oil level indicator.
- Infinitely variable pressure adjustment between 0-10000 psi.
- Adjustable maximum pressure for tool return stroke.
- Designed for continuous operation, hour meter on option.

Catalog No.	675060	675061
Model No.	WPR-2	WPR-4
Operating Wrench	2	4
Tank Capacity	5.5L	5.5L
Flow(Low-Mid-High)	5.5-1.4-0.7L/min	5.5-1.4-0.7L/min
Output Pressure	70~700bar(10000psi)	70~700bar(10000psi)
Voltage	220V/50HZ 110V/60HZ(optional)	220V/50HZ 110V/60HZ(optional)
Power	0.9KW	0.9KW
Oil outputs	2×1/4"NPT	4×1/4"NPT
Weight	25kg	27kg
Volume	30.5×44.5×42.6cm	30.5×44.5×42.6cm



WPR-N
Pneumatic type

- Compact three-stage pump.
- The Single valve block can be replace by component FP4,there by allowing 2 or 4 Tools to be driven simultaneously.
- Three stage with air drive.
- Supporting continuous operation with steel frame.
- Ø 100 diameter gauge,aluminum oil tank with oil level indicator.
- Variable pressure adjustment between 70~700 bar.
- Designed for continuous operation.

Catalog No.	675070	675071
Model No.	WPR-N2	WPR-N4
Operating Wrench	2	4
Air Pressure(Input)	4~8 bar	4~8 bar
Tank Capacity	8L	8L
Flow(Low-Mid-High)	7-1.6-0.8L/min	7-1.6-0.8L/min
Output Pressure	70~700bar	70~700bar
Voltage	220V/50HZ	220V/50HZ
Power	1.1KW	1.1KW
Oil outputs	2×1/4"NPT	4×1/4"NPT
Weight	20.4kg	22.5kg
Volume	28×42.8×44.8cm	28×42.8×44.8cm

Hydraulic Torque Wrench Pump

KLW series

KLW series pump for hydraulic wrench, assembled in an integrated way, an independent and complete hydraulic device composed of oil pump, control valve, fuel tank, air motor, cooler, instrument, etc. High pressure characteristics. The pump is supplied by high and bottom pressure oil pumps at the same time, which can obtain a larger output oil. Under high pressure, under low pressure, the oil will be automatically returned to the oil without load through the unloading relief valve, which can reduce power consumption, and the oil outlet pressure, can be adjusted arbitrarily from 70 to 700 bar.



KLW4020
Electric type

- Compact automatic three stage design.
- Applicable on one or two wrenches simultaneously.
- Aluminum oil tank with gauge.
- Have $\Phi 100$ high pressure gauge.
- Infinitely variable pressure adjustment between 70 ~ 700 bar.
- With the high efficiency radiator the pump can work 24 hours continuously.
- Can change the motor to fit the different voltage.
- Optional components, can operate four wrenches at the same time.

Catalog No.	675014	675016
Model No.	KLW4020-2	KLW4020-4
Operating Wrench	2	4
Tank Capacity	8L	8L
Flow(Low-Mid-High)	7-1.6-0.8L/min	7-1.6-0.8L/min
Output Pressure	70~700bar	70~700bar
Voltage	220V/50HZ	220V/50HZ
Power	1.1KW	1.1KW
Weight	27.7kg	29.9kg
Volume	30.7*40.7*45cm	30.7*40.7*47cm



KLW4030
Pneumatic type

- Input air(4~8 bar).
- Compact automatic three stage flow, can start in high pressure.
- Applicable on one or two wrenches simultaneously.
- Aluminum oil tank with oil gauge.
- Have $\Phi 100$ high pressure gauge.
- Infinitely variable pressure adjustment between 70 ~ 700 bar.
- With the high efficiency cooling system makes the pump suitable in extreme environment.
- Optional components(FP4), can operate four wrenches at the same time.

Catalog No.	675054	675056
Model No.	KLW4030N2	KLW4030N4
Operating Wrench	2	4
Air Pressure(Input)	4~8 bar	4~8 bar
Tank Capacity	8L	8L
Flow(Low-Mid-High)	8.6.6-2.2-1.1L/min	8.6.6-2.2-1.1L/min
Output Pressure	70~700bar	70~700bar
Voltage	220V/50HZ	220V/50HZ
Power	3KW	3KW
Weight	21.5kgs	23.5kgs
Volume	28.9*40.7*45cm	28.9*40.7*47cm



Left type of FRL is standard one
Right type of FRL is for option

Hydraulic Torque Wrench Pump

KLW series

KLW4020 series pump for hydraulic wrench, assembled in an integrated way, an independent and complete hydraulic device composed of oil pump, control valve, fuel tank, air motor, cooler, instrument, etc. High pressure characteristics. The pump is supplied by high and bottom pressure oil pumps at the same time, which can obtain a larger output oil. Under high pressure, under low pressure, the oil will be automatically returned to the oil without load through the unloading relief valve, which can reduce power consumption, and the oil outlet pressure, can be adjusted arbitrarily from 70 to 700 bar. KLW4120 Semi-automatic electrical pump with a set of control system operate with one button, the operator just press the button once time to achieve the task of tightening and loosening.

● Simple Operation:

Operate with one Button, the operator just need to press down the button one time to achieve the operation of tightening and loosening.

● High Efficiency:

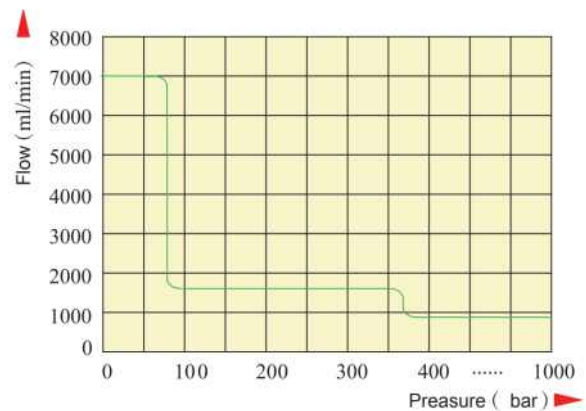
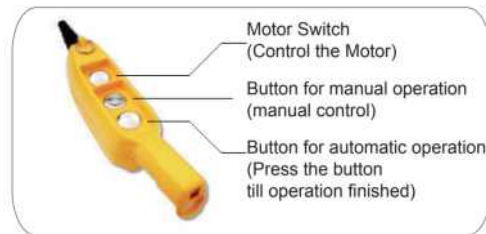
Compare with the general Pump, KLW4100 Automatic Pump has compact operation process to reduce some needless action and increase approximate 50% of working efficiency.

● Manual / Automatic

Besides of the automatic operation, the Pump also has the function of manual operation, for some special operation, KLW4100 also can be worked well. Additionally the KLW4100 can work 24 hours without stop with radiator, We can also make the Pump with other kinds of motors according customers' requirement.



KLW4120
Electric type



Catalog No.	675018	675020
Model No.	KLW4120-2	KLW4120-4
Operating Wrench	2	4
Tank Capacity	8L	8L
Flow(Low-Mid-High)	7-1.6-0.8L/min	7-1.6-0.8L/min
Output Pressure	70~700bar	70~700bar
Voltage	220V/50HZ	220V/50HZ
Power	1.1KW	1.1KW
Weight	27.7kgs	29.7kgs
Volume	29.9*44.5*44.6cm	29.9*44.5*44.6cm

Hydraulic Torque Wrench Pump

KLW series

DHP series pump for hydraulic wrench, It is an independent and complete hydraulic device composed of power unit, electrical unit, control device, etc., which is assembled in an integrated manner. It has the characteristics of large flow, large volume, light weight, simple structure, convenient operation and high working pressure.



DHP 1.1KW×2(220V)
Electric type

- Compact automatic three stage flow, can start in high pressure.
- Applicable on one or two wrenches simultaneously.
- Aluminum oil tank with gauge.
- Have Φ100 high pressure gauge.
- Infinitely variable pressure adjustment between 70 ~ 700 bar.
- With the high efficiency cooling system suitable in extreme environment.
- Can change the motor to fit the different voltage.
- Optional components, can operate four wrenches at the same time.

Catalog No.	675022	675024
Model No.	DHP-220×4	DHP-220×8
Operating Wrench	4	8
Tank Capacity	13L	13L
Cooler	Yes	Yes
Output Port Size	8×1/4"NPT	16×1/4"NPT
Flow(Low-Mid-High)	14-3.2-1.6L/min	14-3.2-1.6L/min
Output Pressure	70~700bar	70~700bar
Voltage	220V/50HZ	220V/50HZ
Power	1.1KW×2	1.1KW×2
Weight	59.6kg	63.5kg
Volume	50×58×53.1cm	50×62×53.1cm



DHP 2.2KW×2(380V)
Electric type

- Compact automatic three stage flow, can start in high pressure.
- Applicable on one or two wrenches simultaneously.
- Aluminum oil tank with gauge.
- Have Φ100 high pressure gauge.
- Infinitely variable pressure adjustment between 70 ~ 700 bar.
- With the high efficiency cooling system suitable in extreme environment.
- Can change the motor to fit the different voltage.
- Optional components, can operate four wrenches at the same time.

Catalog No.	675026	675028
Model No.	DHP-380×4	DHP-380×8
Operating Wrench	4	8
Tank Capacity	40L	40L
Cooler	Yes	Yes
Output Port Size	8×1/4"NPT	16×1/4"NPT
Flow(Low-Mid-High)	20-8.2-2.8L/min	20-8.2-2.8L/min
Output Pressure	70~700bar	70~700bar
Voltage	380V/50HZ	380V/50HZ
Power	2.2KW×2	2.2KW×2
Weight	63.5kg	68.5kg
Volume	65×44.2×68cm	65×44.2×68cm

Hydraulic Torque Wrench Pump

Examples of system connection

The existing M42 (S65) strength grade level 8.8 flange bolt with a two drive type hydraulic torque wrench.

Each type of hydraulic torque wrench has its own torque range.

If known to the locking torque value X N.m. As with the torque wrench maximum output torque value should be at least 2X N.m (bolt torque to remove loose locking torque of 1.5 ~ 2 times). As is the case with M42 (S65) bolt, if the technical requirements of the locking torque values for 2600N.m, it should in principle for the configuration of the torque wrench torque value should be greater than 5200N.m (such as field conditions, without removing the loose bolts, can be served with relatively little torque models).

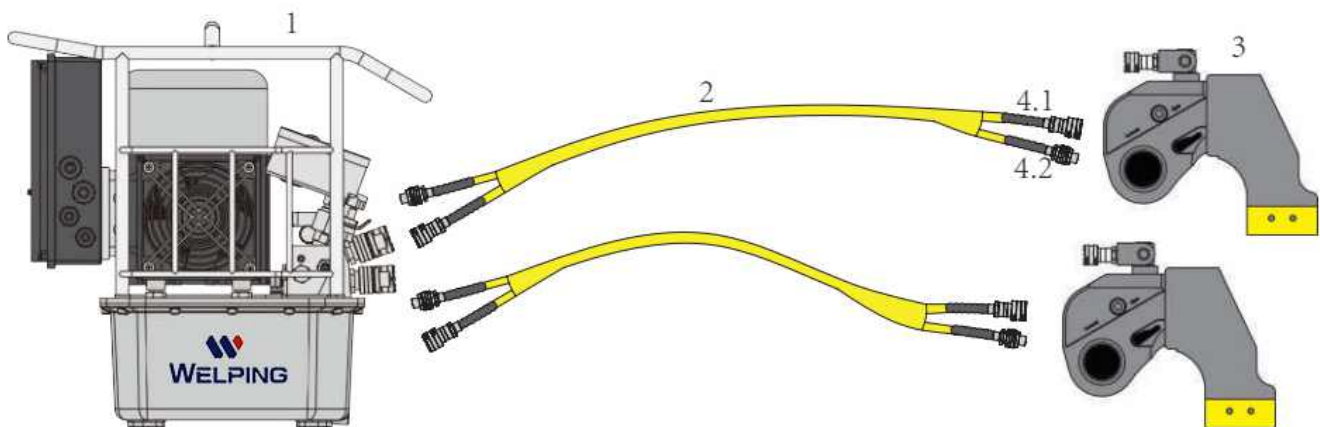
Check table selection of most suitable torque wrench torque wrench is 5IBT type hydraulic torque wrench.

If you are on the site requirements of the locking torque values are unknown, Our engineer will recommend you use.

You can also follow the steps below to his own projections. From the bolt and nut torque value for recommendation, in accordance with the bolt size, strength check table to derive a closer to the real value of torque.

As is the case with M42 (S65) look bolt locking torque of $2744 \times 90\% = 2470\text{N.m}$, due to remove loose bolt torque for locking of 1.5 ~ 2 times, matching hydraulic wrench torque value should be greater than 4940N.m. Check table selection of most suitable torque wrench torque wrench is 5IBT type hydraulic torque wrench.

Configure:



1 LP3 Electric Pump

2 2JH6460Twin Hose

3 5IBT square drive Torque Wrench

4.1 C9013Quick Coupler (M)

4.2 C9014Quick Coupler (F)

One pump for two torque wrenches

LP3	1	220V/50HZ Out put 70Mpa
5IBT	2	Torque 752~7528N.m
2JH6460-1	2	6M
C901 Quick Coupler	4	C9013 and C9014

One pump for one torque wrenches

LP3	1	220V/50HZ Out put 70Mpa
5IBT	1	Torque 752~7528N.m
2JH6460-1	1	6M
C901 Quick Coupler	2	C9013 and C9014



Hangzhou Welping Machinery Equipment Co., Ltd

Phone: 00 86 571 89332538

E-mail: top@welping.cn Web: www.welpingtool.com

Office address: Room 1904 Building 1, Taifu Plaza, No. 1 Tonghui Middle Road,
Xiaoshan District, Hangzhou

Factory address: No. 2 Jinyuan Road, Puyang Town, Xiaoshan District, Hangzhou, China